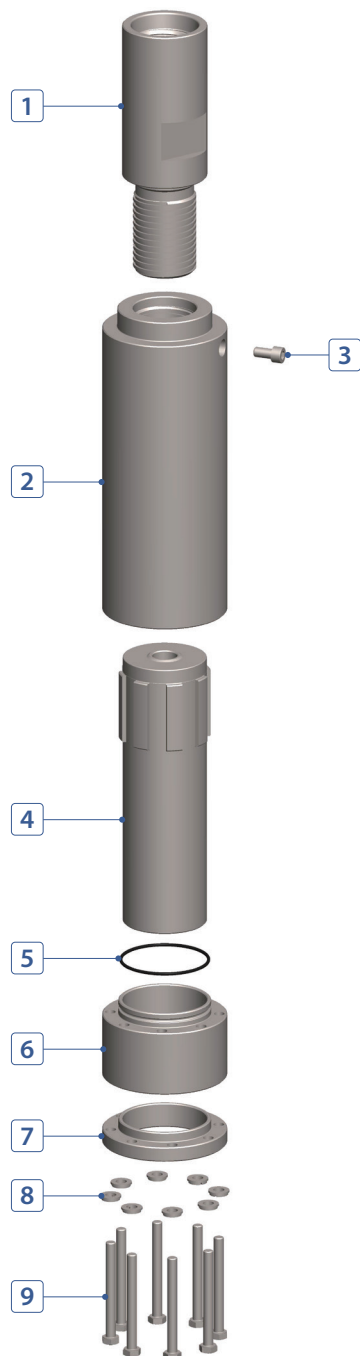


# SHOCK ABSORBER

## ROTARY TYPE - 4 INCH



### COMPONENT PART

No.	DESCRIPTION	Q'TY	PART #
1	Upper Adapter	1	S040-08-C01ARB
2	Tube	1	S040-08-C04000
3	Tube Range Bolt	1	S040-08-C25000
4	Shaft	1	S040-08-C15ARP
5	Flange01 O-ring	1	S040-08-C27000
6	Flange01	1	S040-08-C26000
7	Flange02	1	S040-08-C29000
8	Washer	8	S040-08-C30000
9	Hex bolt	8	S040-08-C31000

### SHOCK ABSORBER SPECIFICATIONS

Length	24"	610 mm
Outside Diameter	4.9"	125 mm
Weight	99 lbs.	45 kg
Connection	Std. 2-3/8" API Reg	